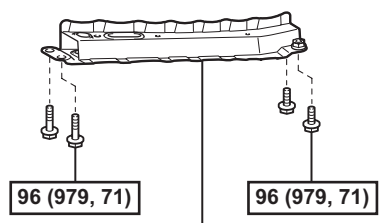
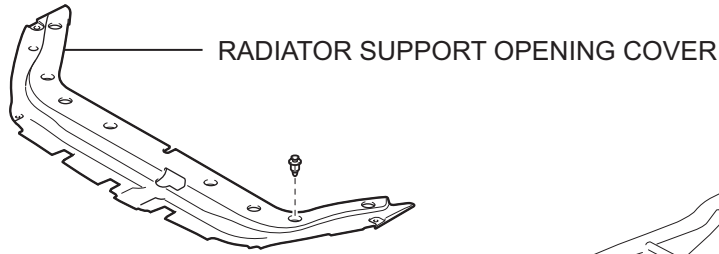


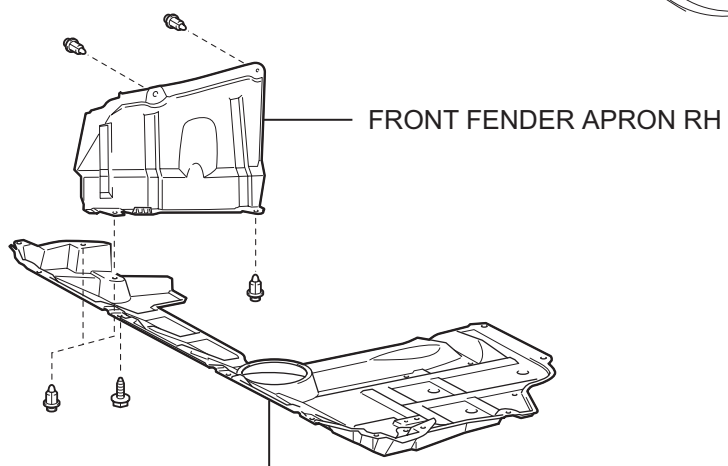
CYLINDER HEAD

COMPONENTS

EM

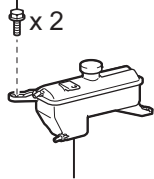


FRONT SUSPENSION MEMBER REINFORCEMENT RH



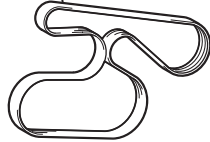
N*m (kgf*cm, ft.*lbf) : Specified torque

5.0 (51, 44 in.*lbf)

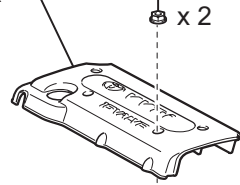


RADIATOR RESERVOIR

FAN AND GENERATOR V BELT

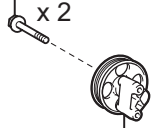


7.0 (71, 62 in.*lbf)



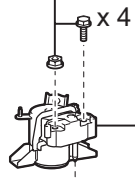
NO. 1 ENGINE COVER

60 (612, 44)



IDLER PULLEY

95 (969, 70)



ENGINE MOUNTING INSULATOR RH

52 (530, 38)

9.8 (100, 7)

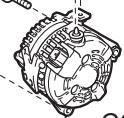


HEATED OXYGEN SENSOR CONNECTOR

8.4 (86, 74 in.*lbf)

52 (530, 38)

21 (215, 15)



GENERATOR ASSEMBLY

GENERATOR ASSEMBLY

GASKET



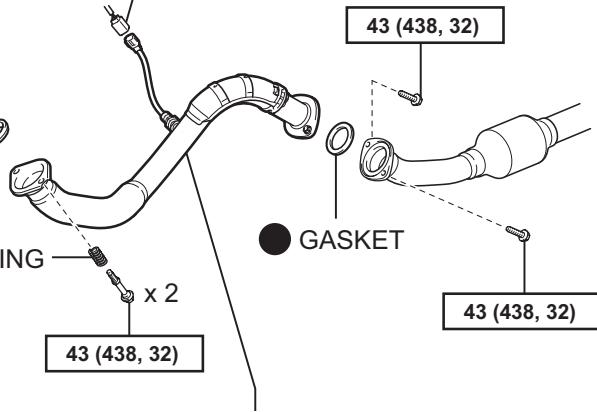
43 (438, 32)

GASKET



43 (438, 32)

43 (438, 32)

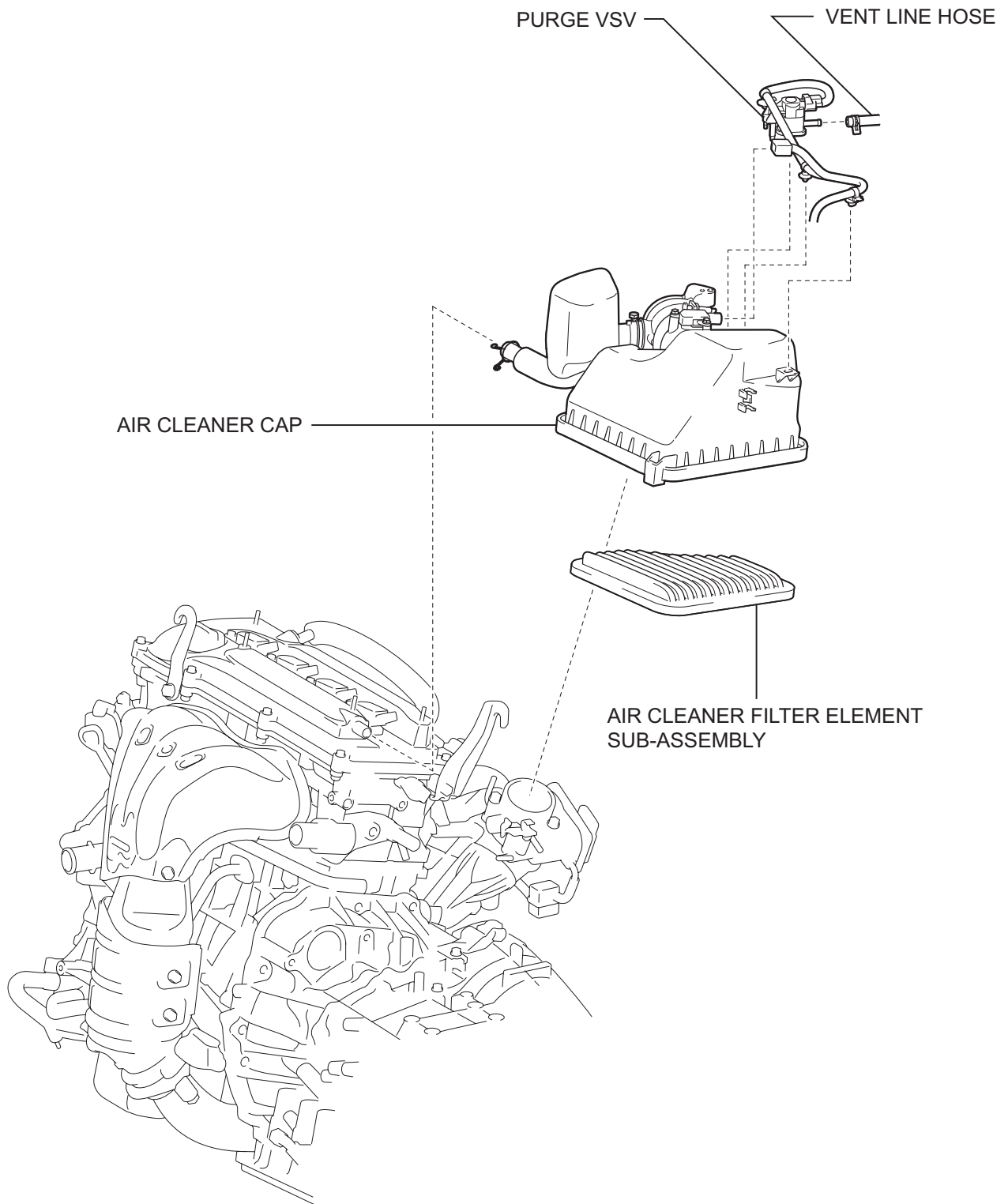


FRONT EXHAUST PIPE

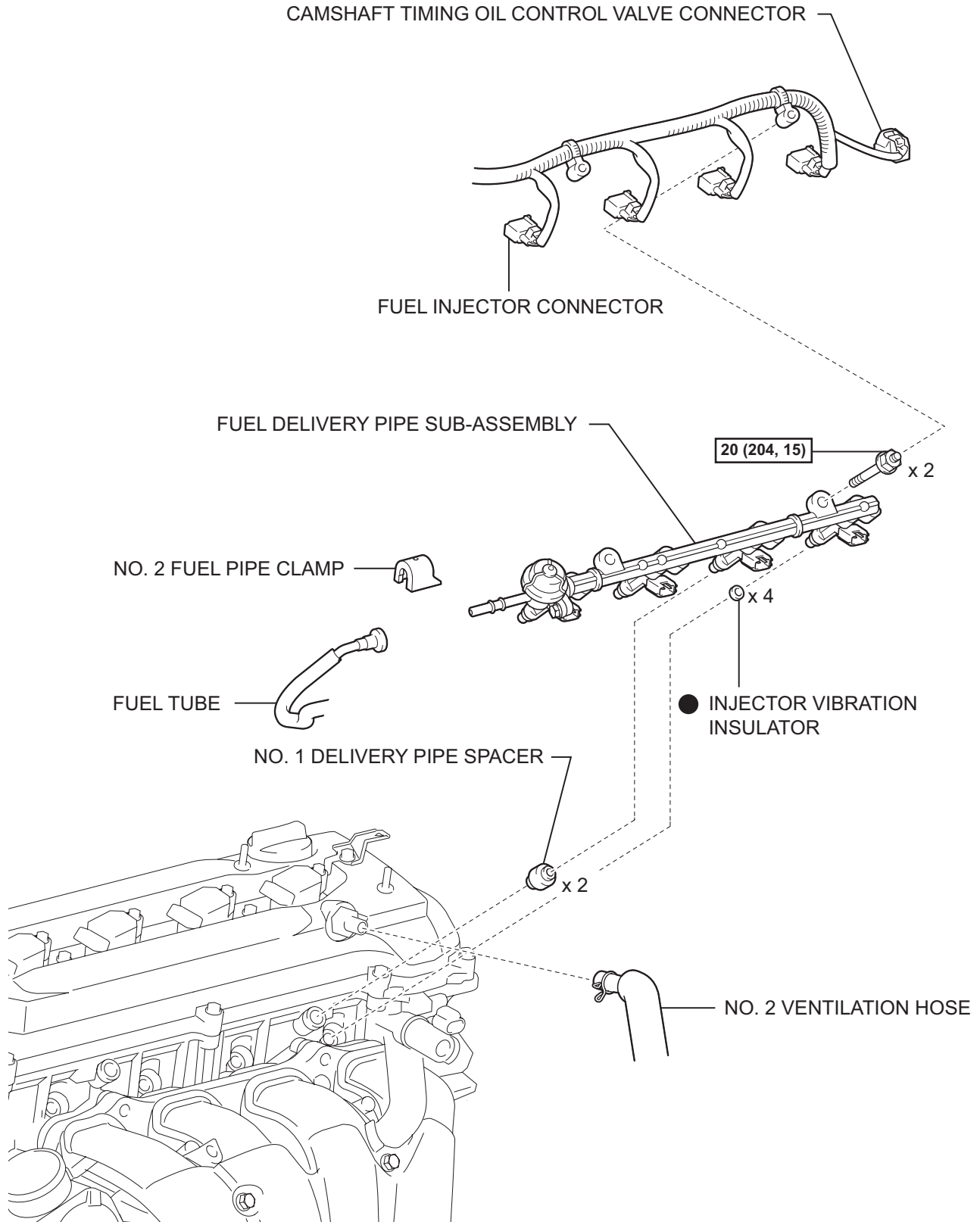
N*m (kgf*cm, ft.*lbf) : Specified torque

● Non-reusable part

EM

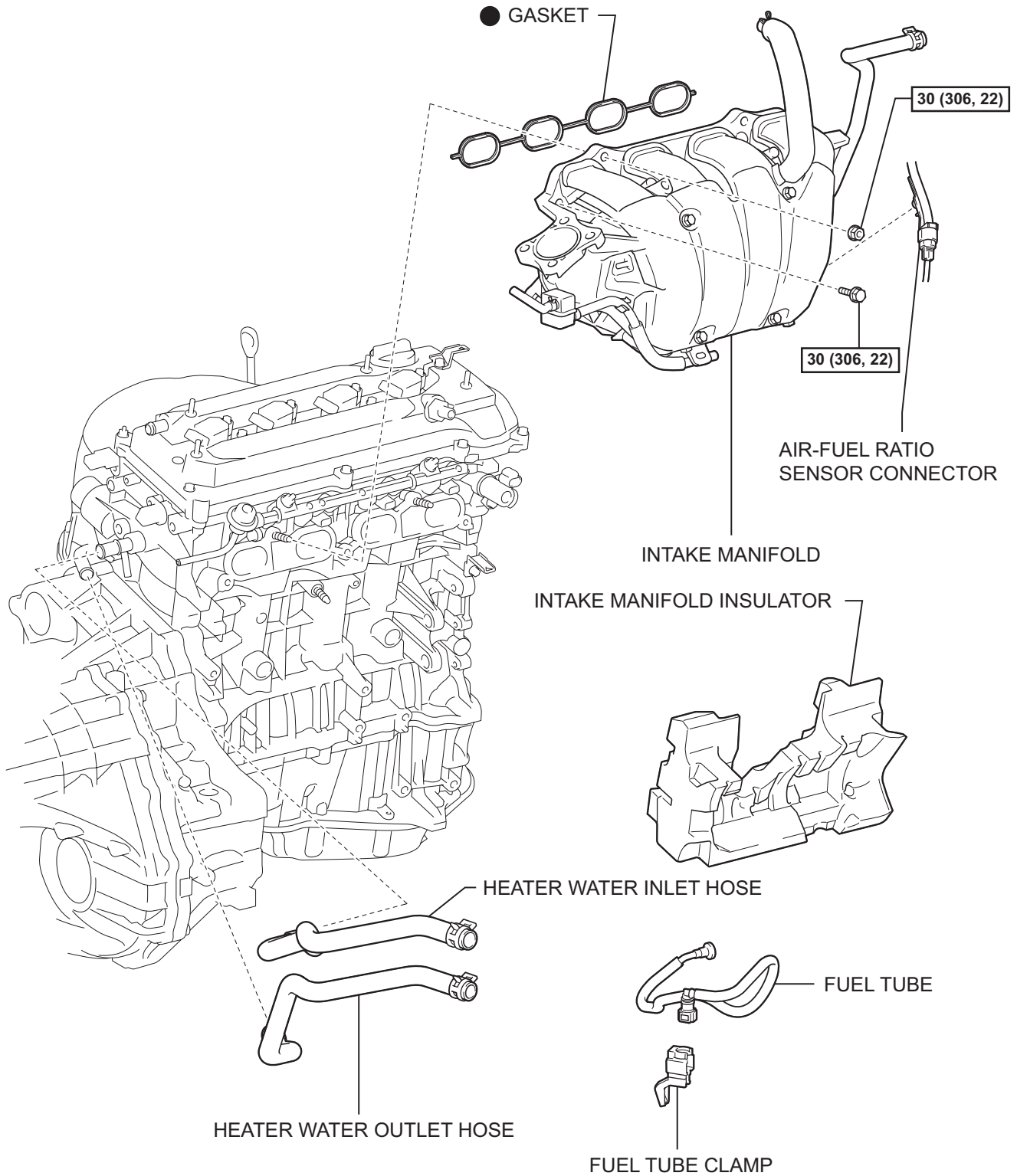


EM



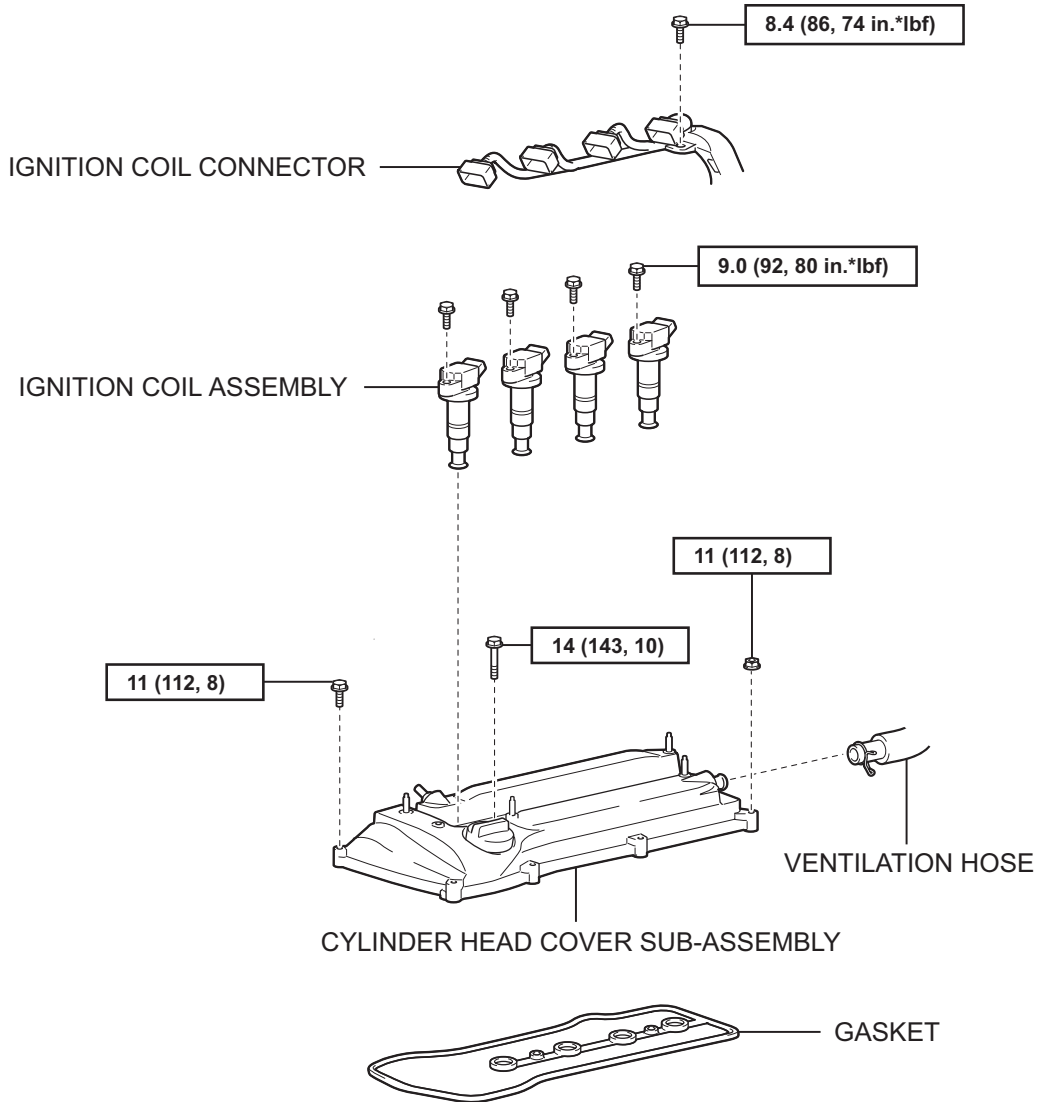
N*m (kgf*cm, ft.*lbf) : Specified torque

● Non-reusable part



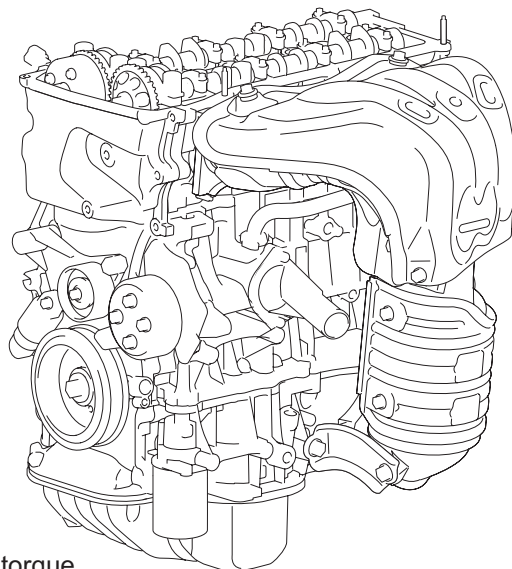
N*m (kgf*cm, ft.*lbf) : Specified torque

● Non-reusable part



EM

N*m (kgf*cm, ft.*lbf) : Specified torque



EM

NO. 1 CHAIN TENSIONER ASSEMBLY

● GASKET

9.0 (92, 80 in.*lbf)

11 (112, 8)

ENGINE MOUNTING BRACKET RH

11 (112, 8)

55 (561, 41)

55 (561, 41)

55 (561, 41)

x 3

59.5 (607, 44)

9.0 (92, 80 in.*lbf)

TIMING CHAIN COVER SUB-ASSEMBLY

59.5 (607, 44)

21.5 (219, 16)

V-RIBBED BELT TENSIONER ASSEMBLY

9.0 (92, 80 in.*lbf)

180 (1,835, 133)

CRANKSHAFT PULLEY

25 (255, 18)

x 8

● TIMING CHAIN COVER OIL SEAL

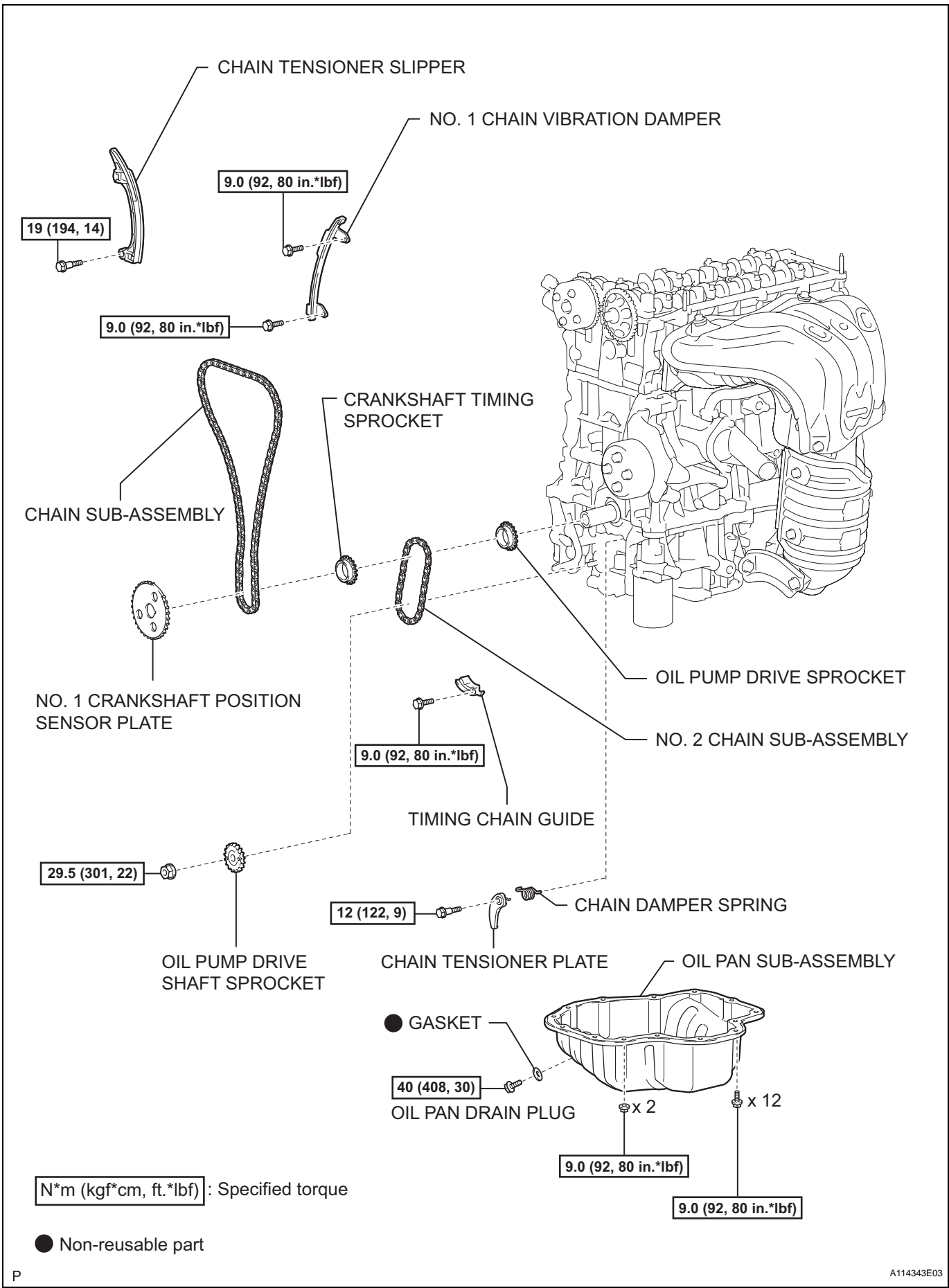
CRANKSHAFT POSITION SENSOR

9.0 (92, 80 in.*lbf)

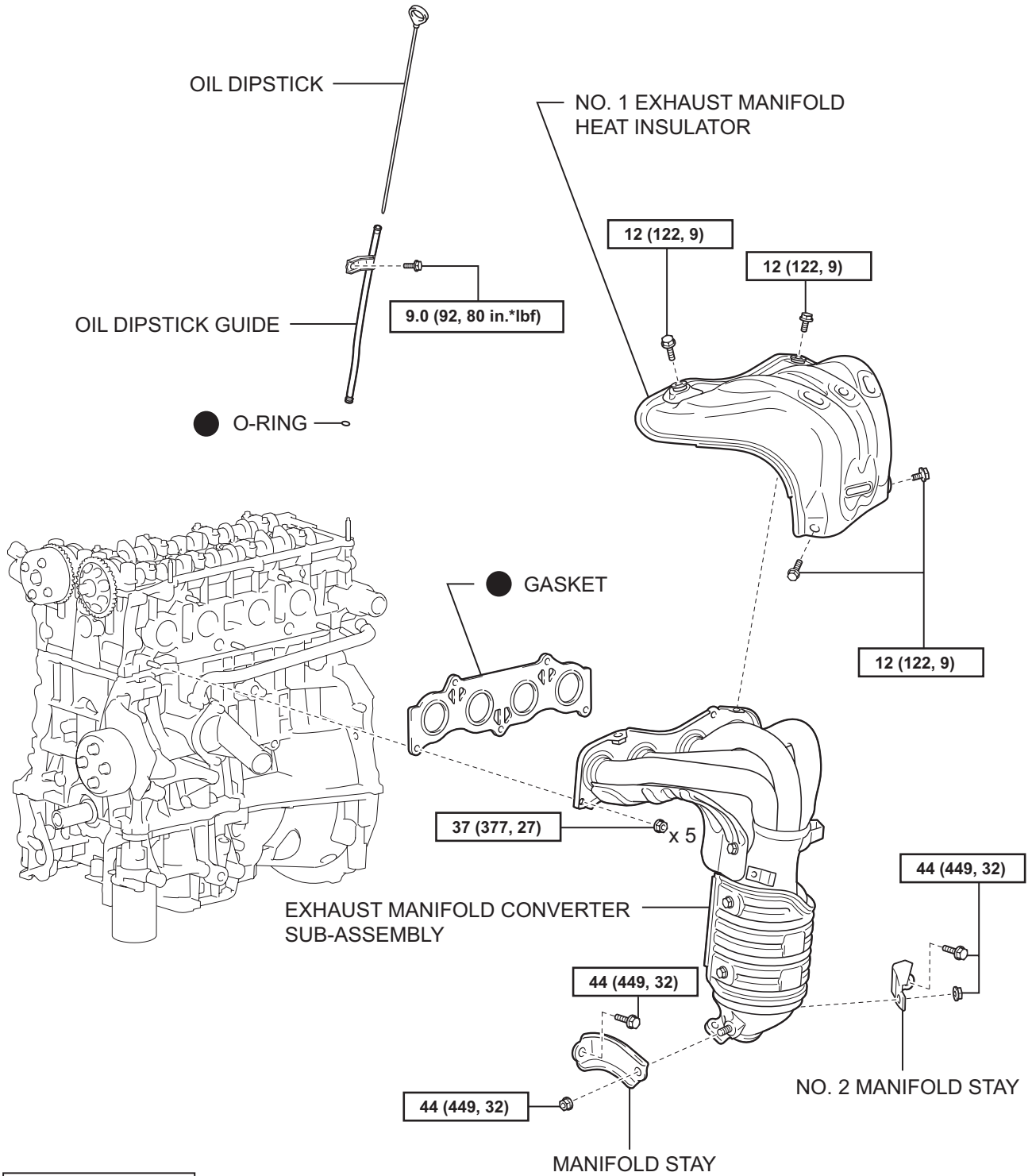
N*m (kgf*cm, ft.*lbf) : Specified torque

● Non-reusable part

EM



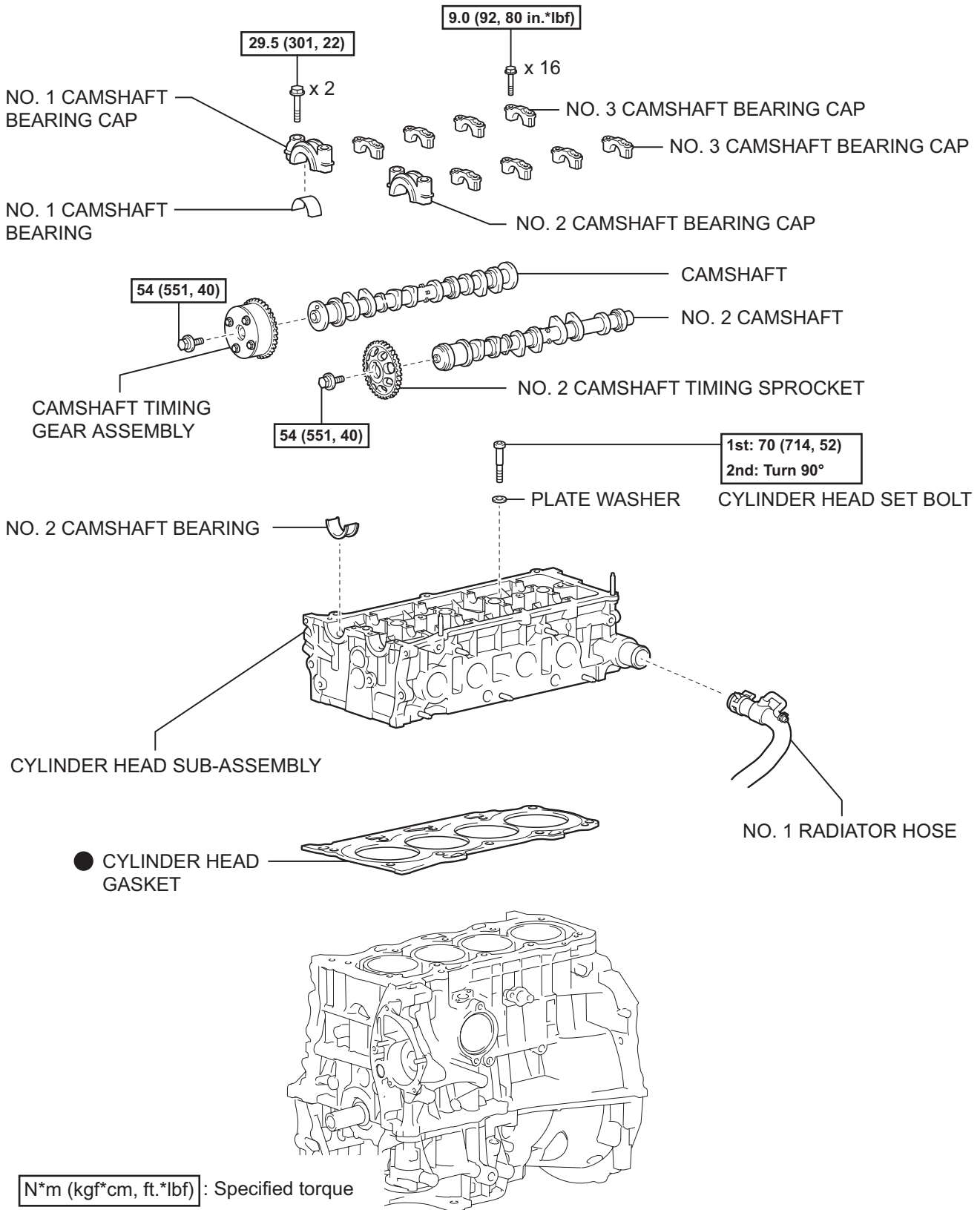
EM

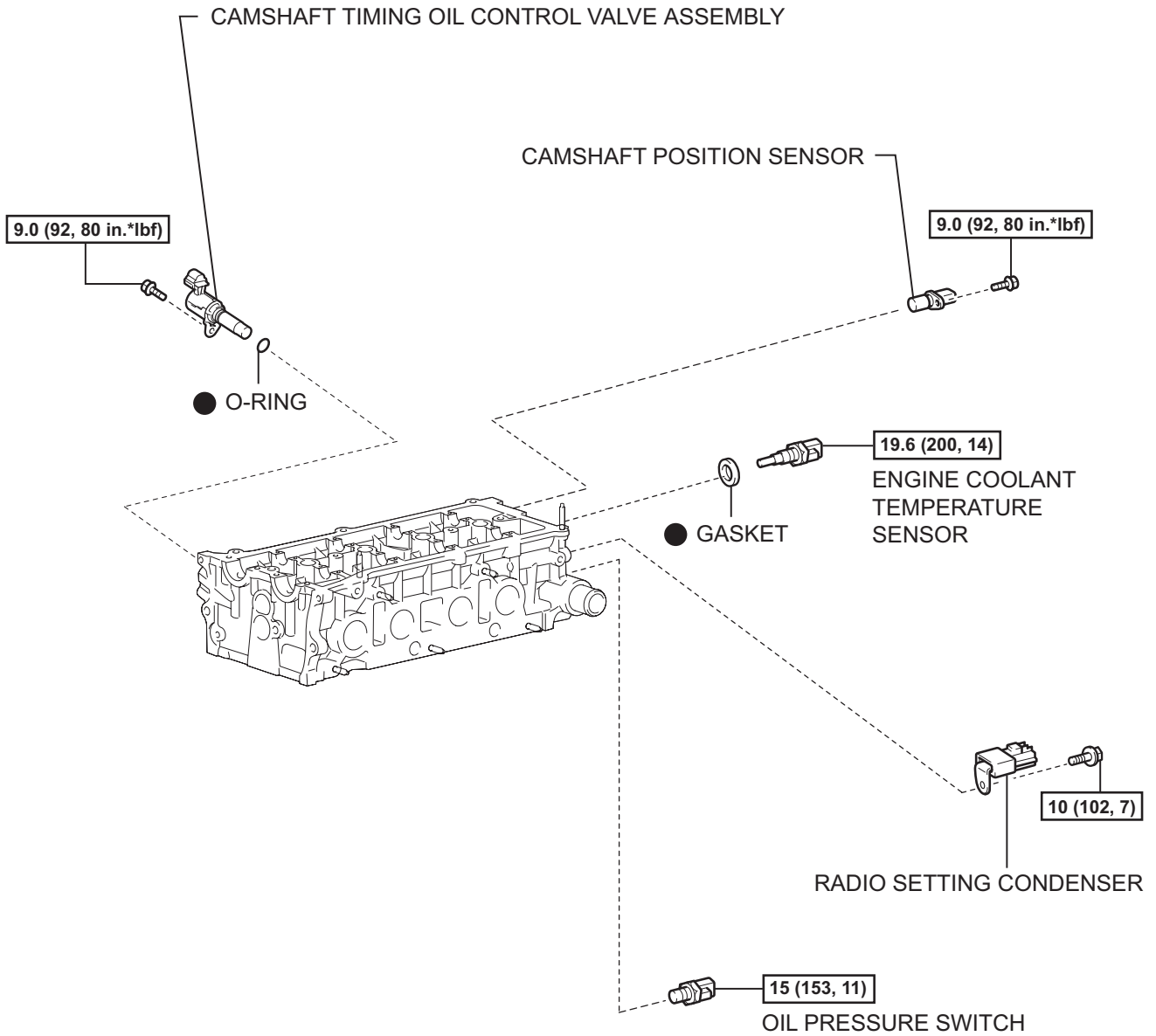


N*m (kgf*cm, ft.*lbf) : Specified torque

● Non-reusable part

EM





N*m (kgf*cm, ft.*lbf) : Specified torque

● Non-reusable part

EM

VALVE LIFTER

VALVE LIFTER

VALVE SPRING RETAINER LOCK

VALVE SPRING RETAINER LOCK

VALVE SPRING RETAINER

VALVE SPRING RETAINER

INNER COMPRESSION SPRING

INNER COMPRESSION SPRING

● VALVE STEM OIL SEAL

● VALVE STEM OIL SEAL

VALVE SPRING SEAT

VALVE SPRING SEAT

● INTAKE VALVE GUIDE BUSH

● EXHAUST VALVE GUIDE BUSH

9.5 (97, 84 in.*lbf)
STUD BOLT

5.0 (51, 44 in.*lbf)
STUD BOLT

● RING PIN

5.0 (51, 44 in.*lbf)
STUD BOLT

9.5 (97, 84 in.*lbf)
STUD BOLT

EXHAUST VALVE — INTAKE VALVE

N*m (kgf*cm, ft.*lbf) : Specified torque

● Non-reusable part

