



TOYOTA

ALWAYS A
BETTER WAY

RAV4 RAV4 Plug-in Hybrid

Cross bar

Installation instructions

Model year: As from 2018/11
As from 2020/06 (Plug-in Hybrid)

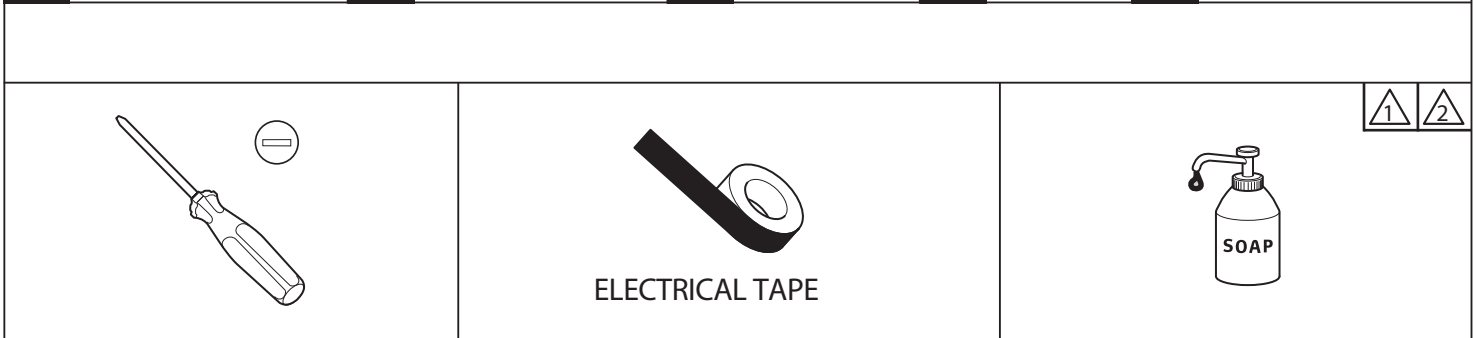
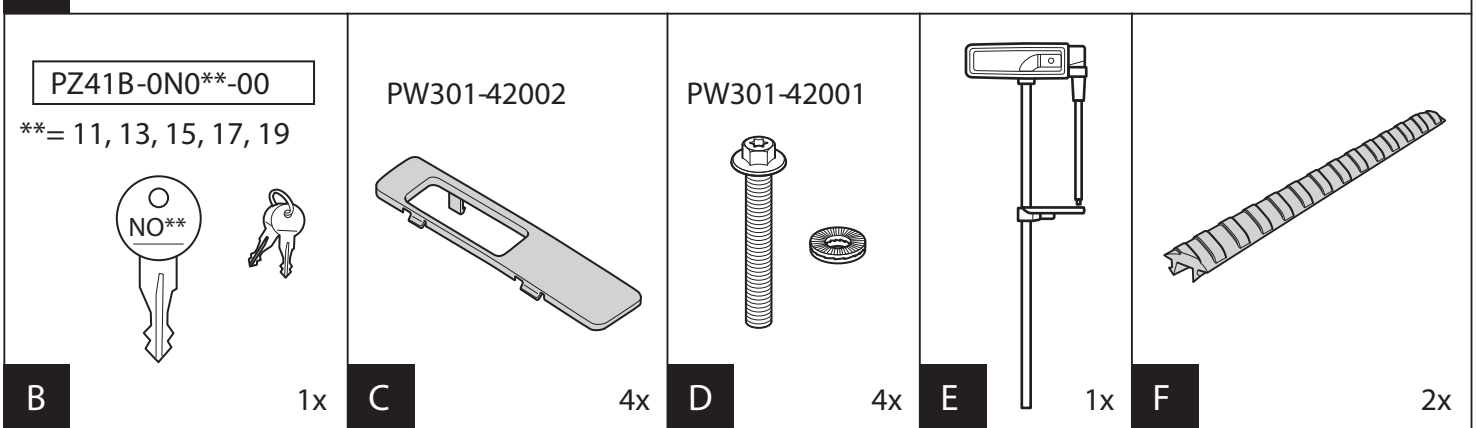
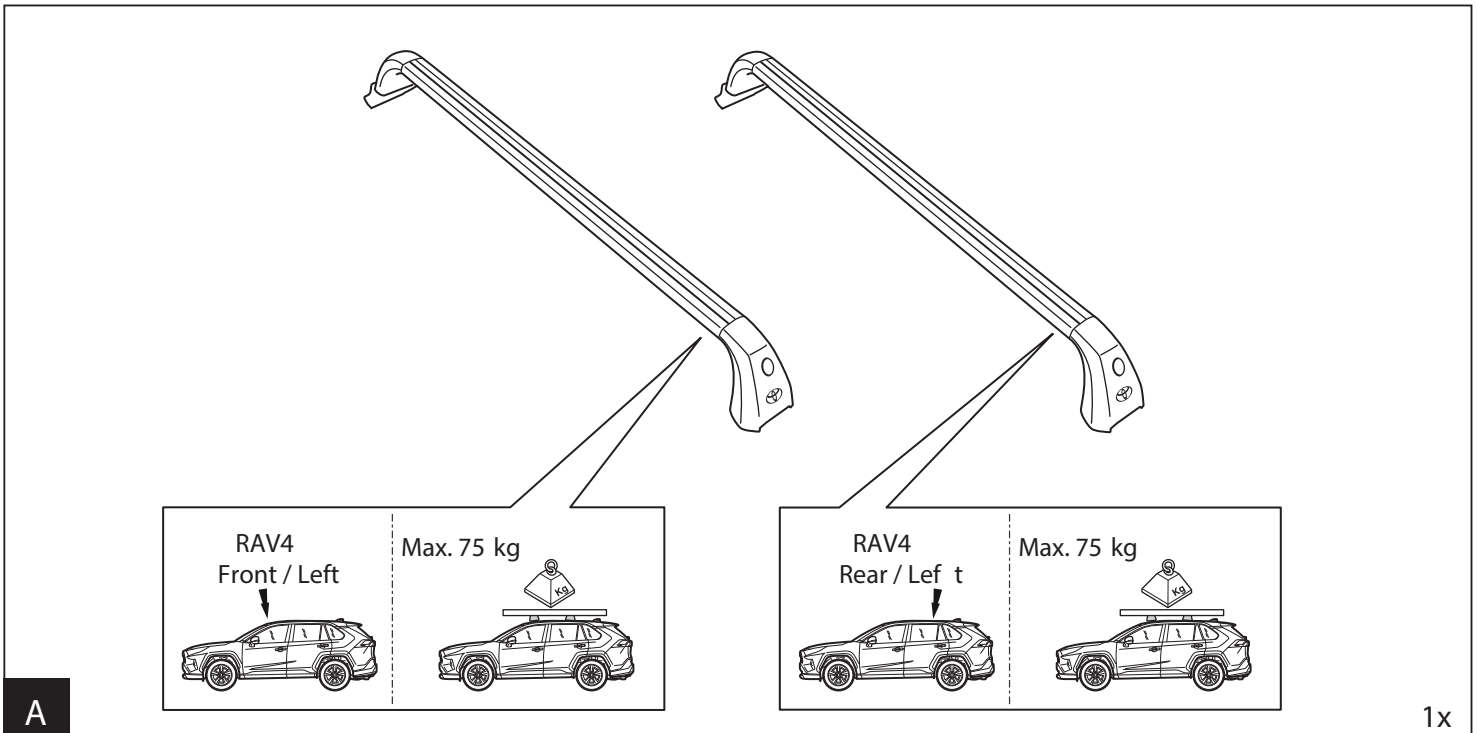
Vehicle code: *XA*5**-AN**BW

Part number: PW301-42000

Manual reference number: AIM 004 286 - 3

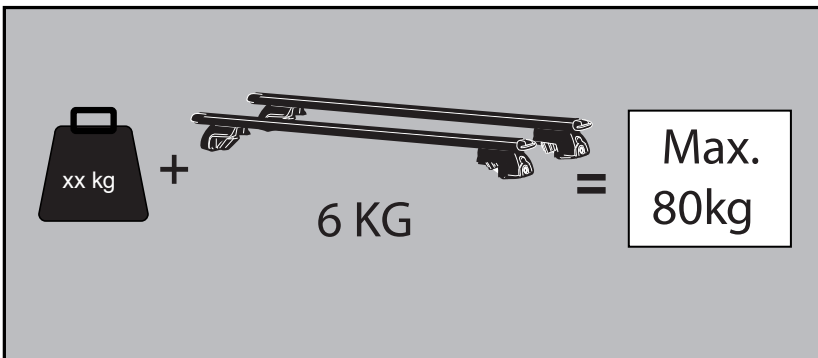
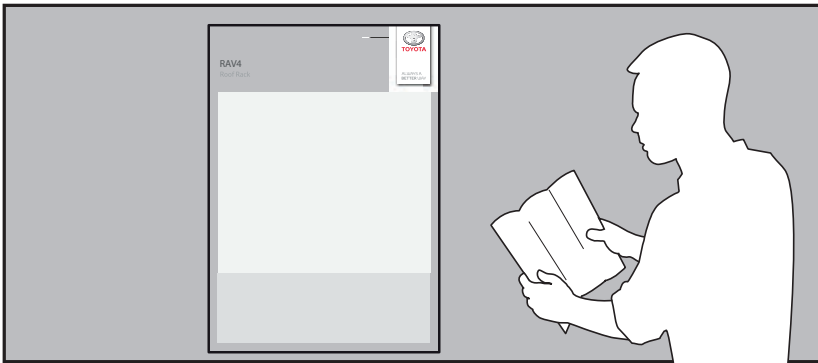
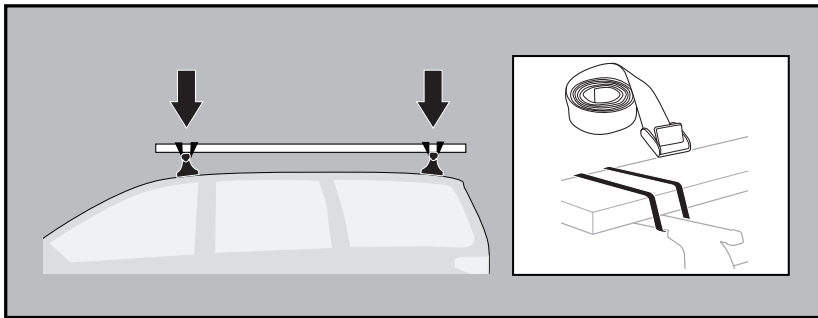
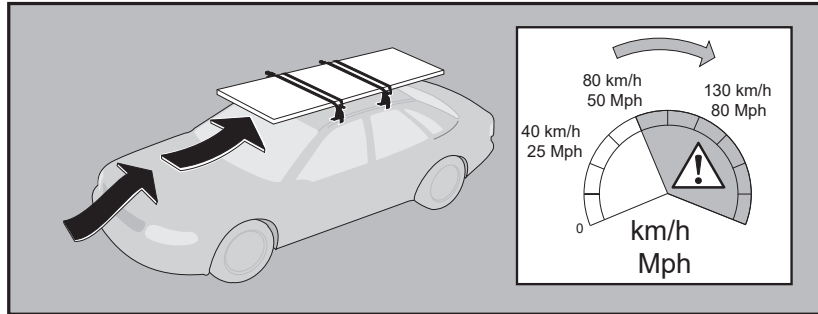
Revision Record

Rev. No.	Date	Page	Step	Remarks
△1	29.04.20	1		Model year and vehicle code updated
△1	29.04.20	2		Tools updated
△1	29.04.20	4	1	Cleaning info updated
△2	25.02.21	2, 4	1	Cleaner/Degreaser removed
△2	25.02.21	3		Temperature info removed
△3	28.04.21	8	8	Key orientation warning added



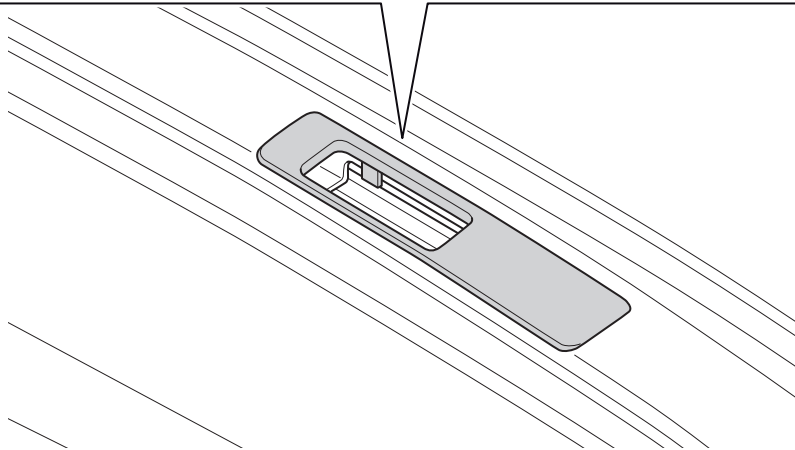
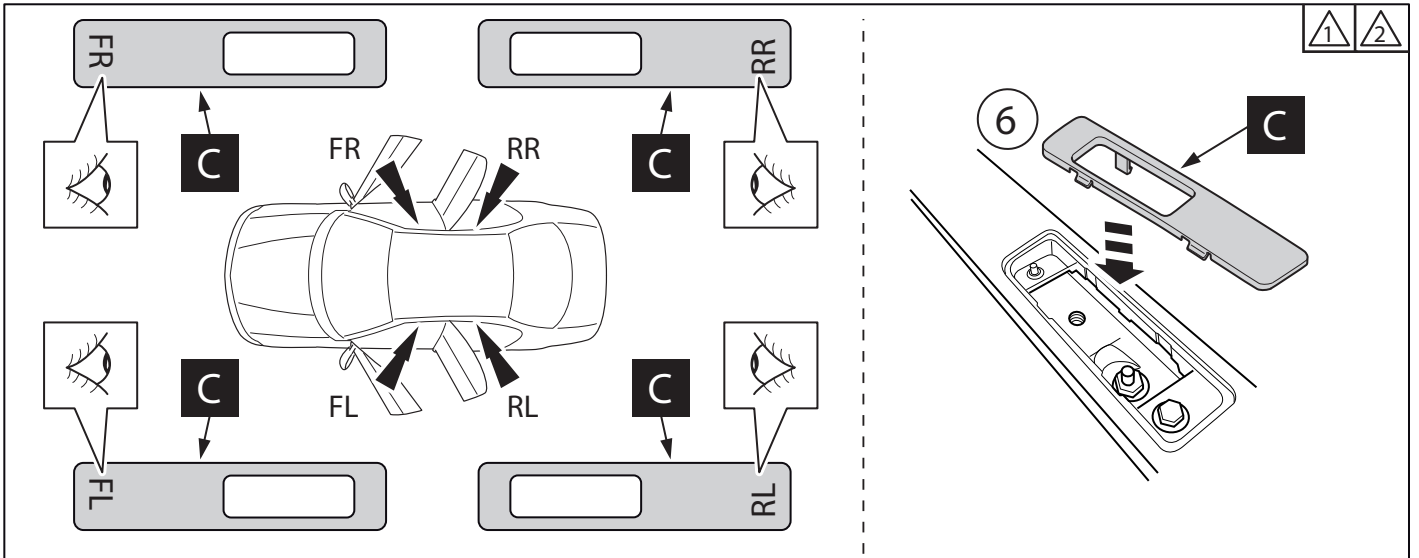
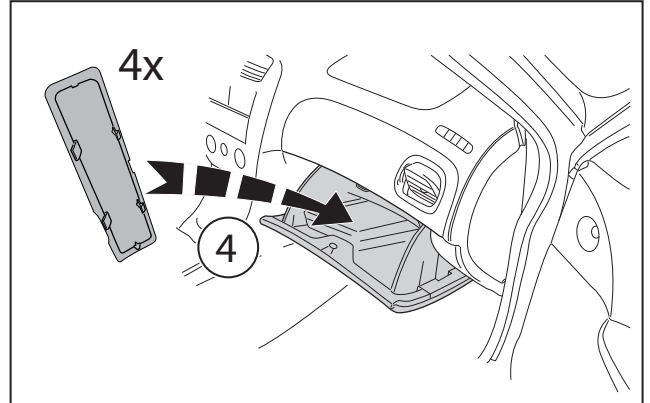
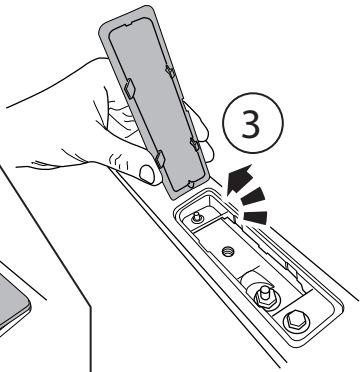
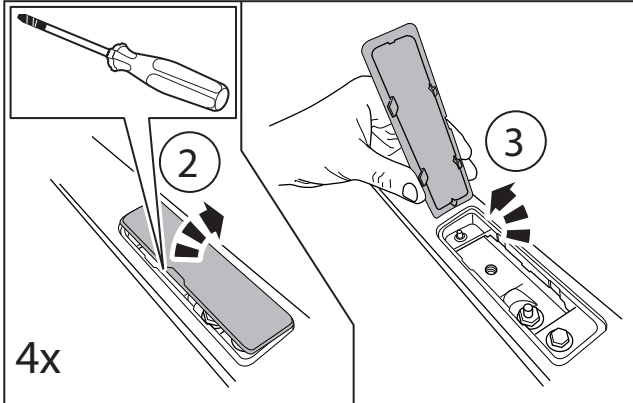
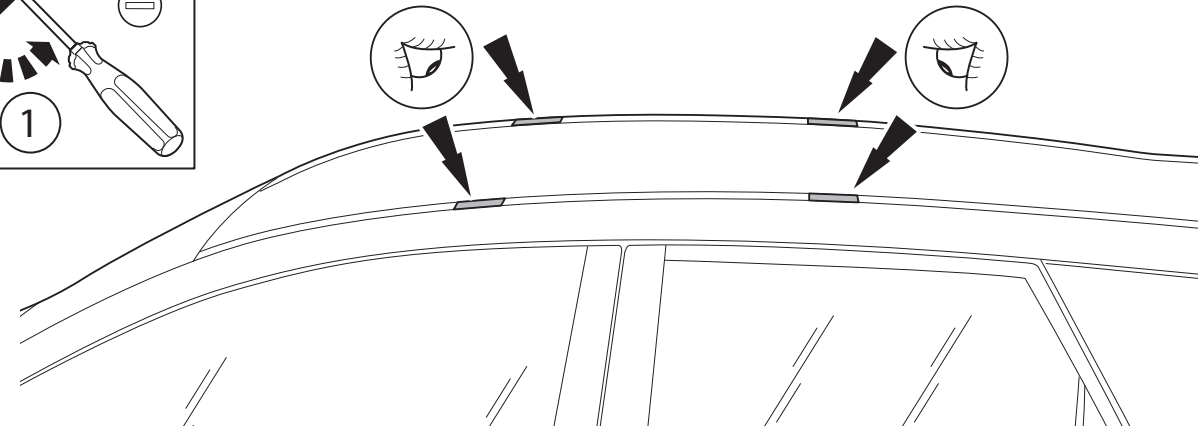
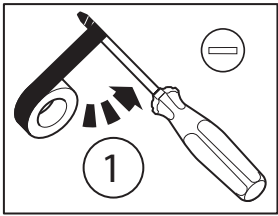


Material Safety Data Sheet

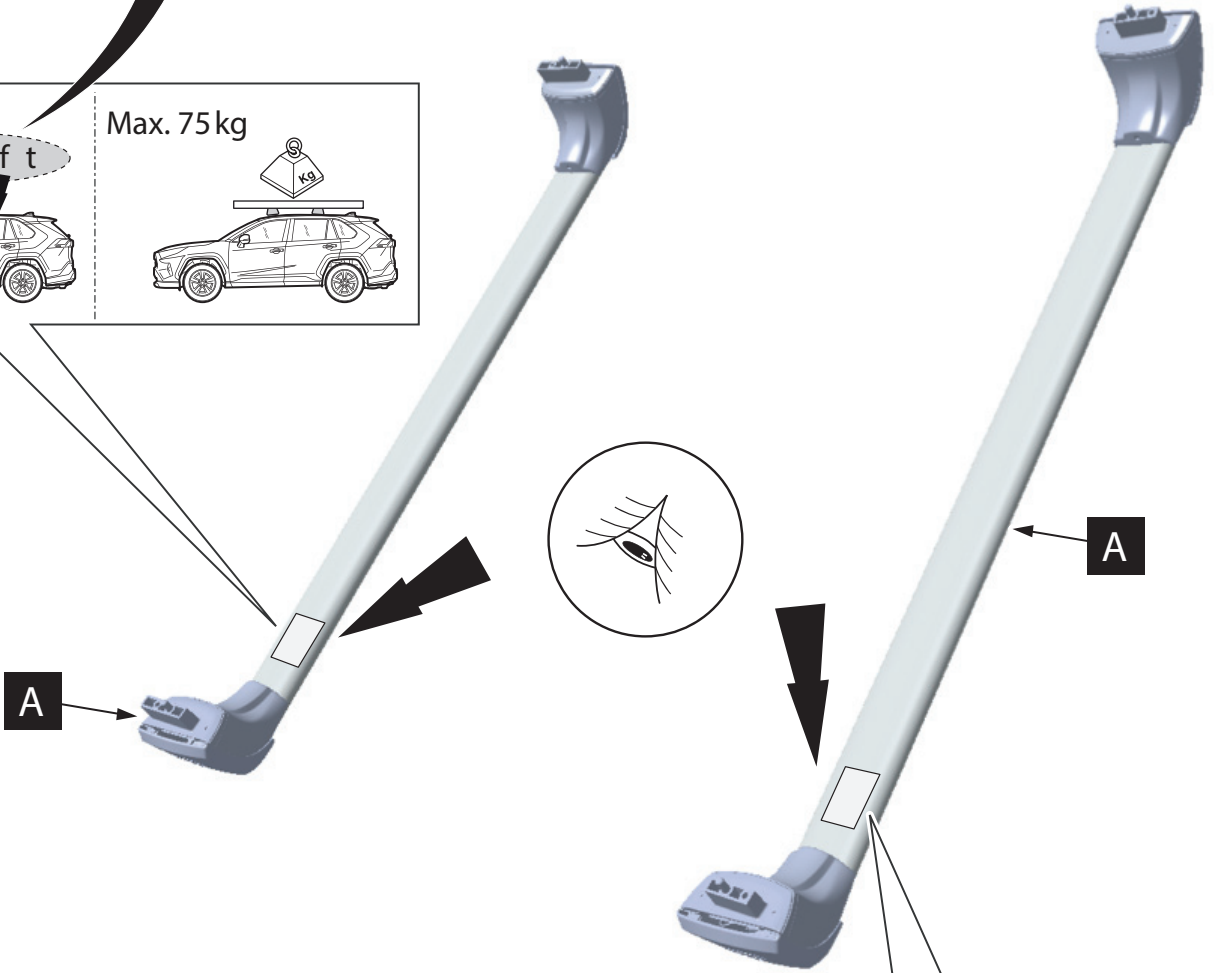
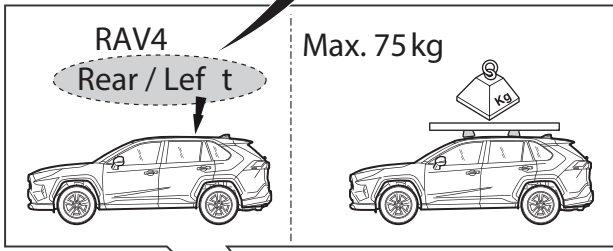


CITY CRASH
Complies with ISO norm

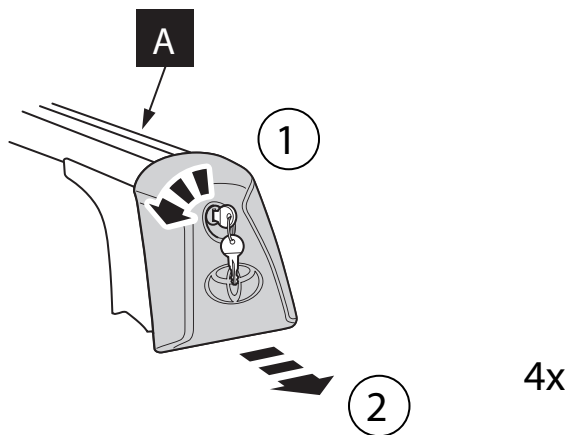
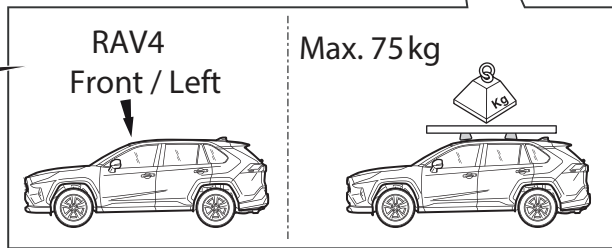
ISO 11154-E



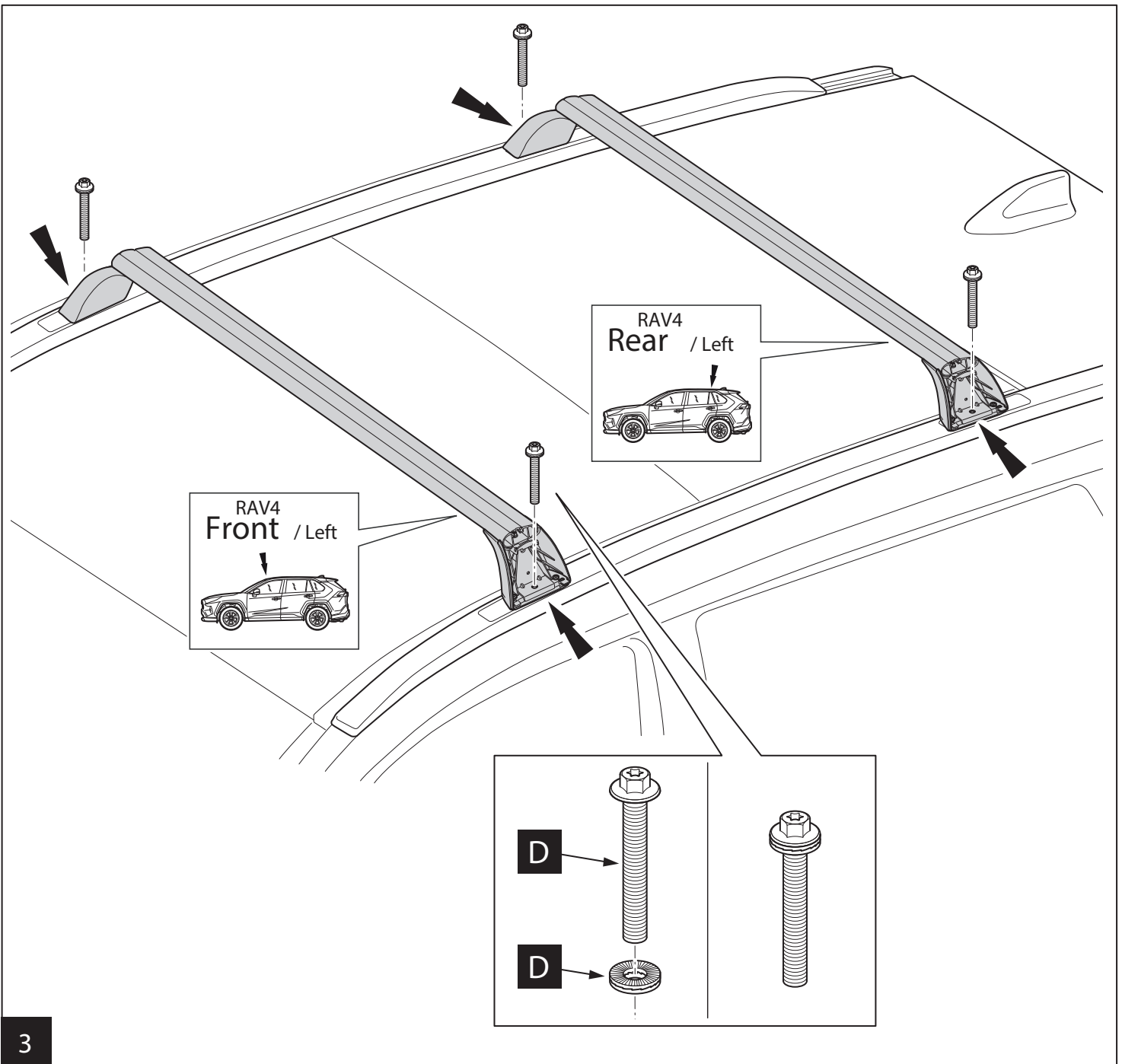
Rear / Left



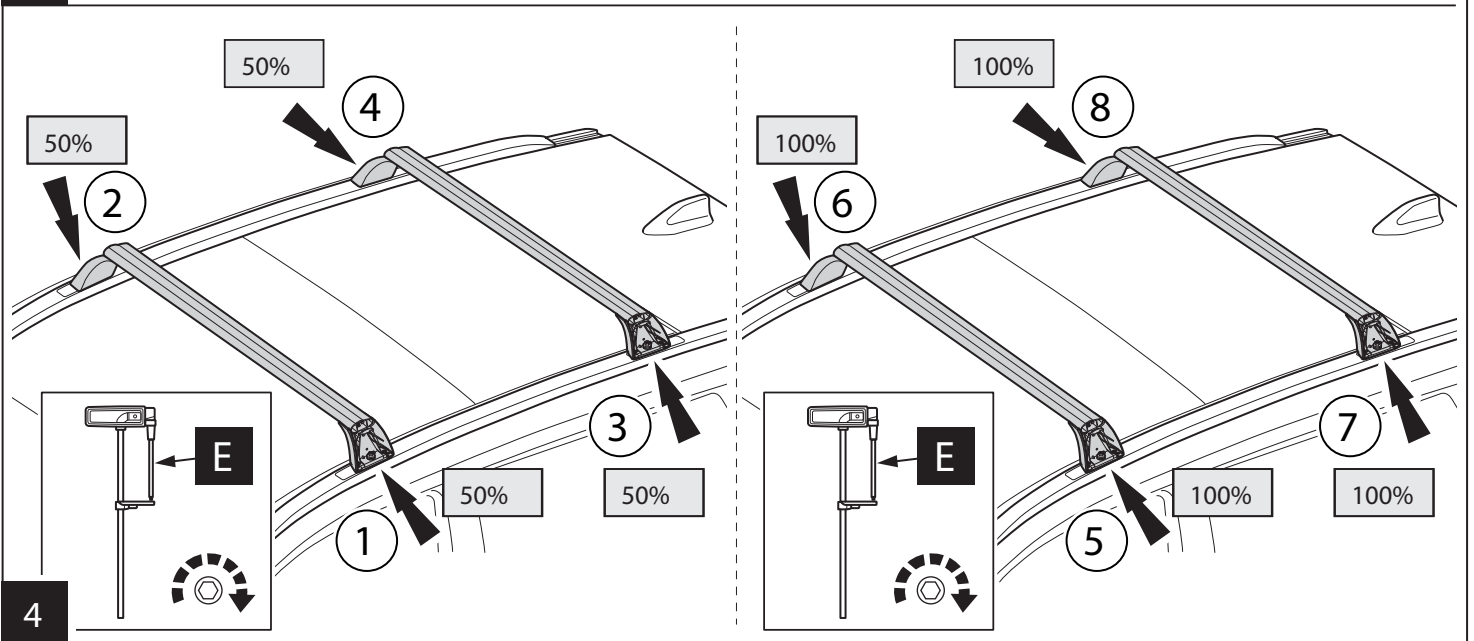
Front / Left



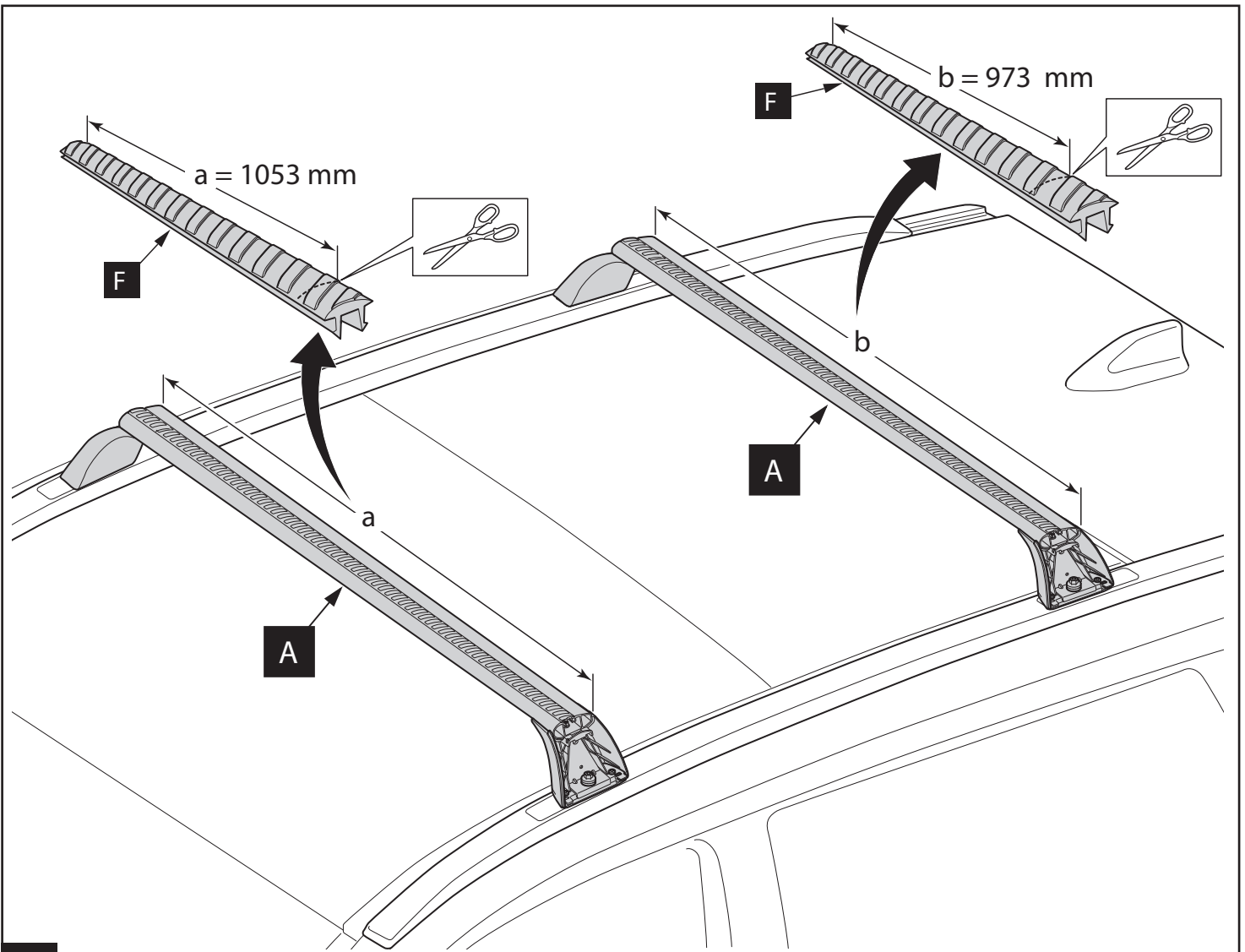
2



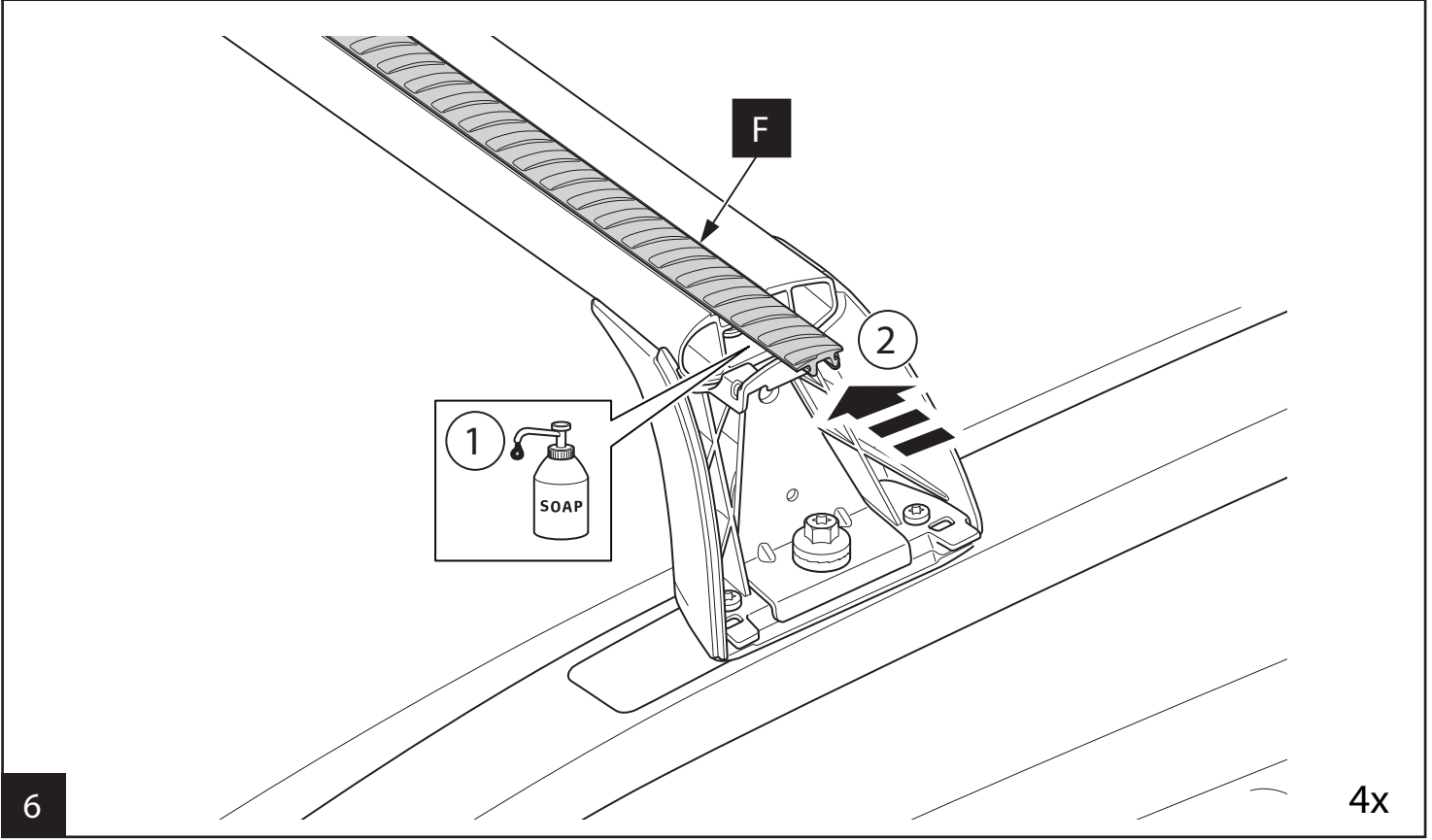
3



4

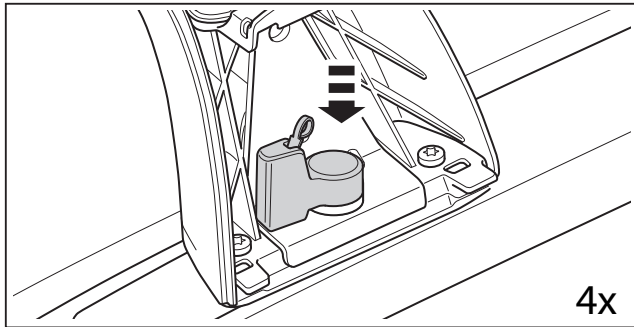
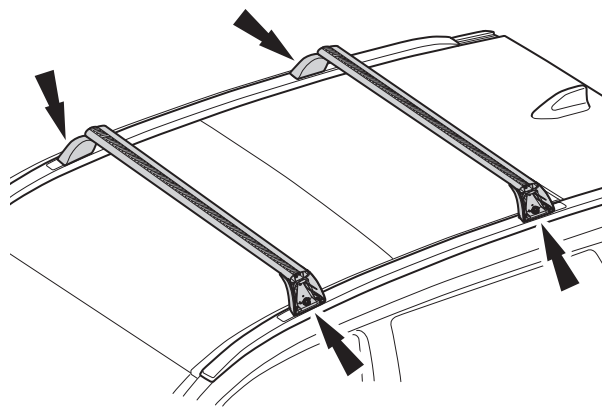


5



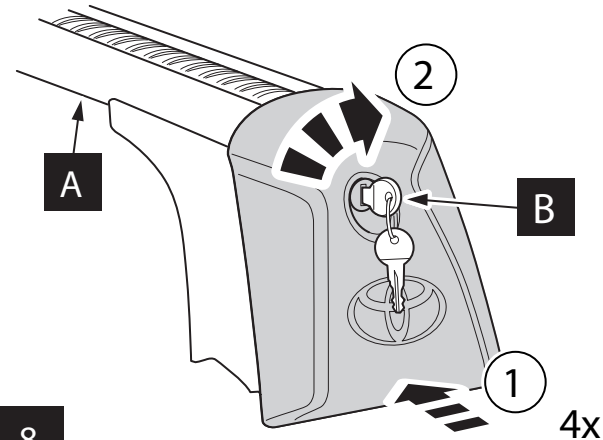
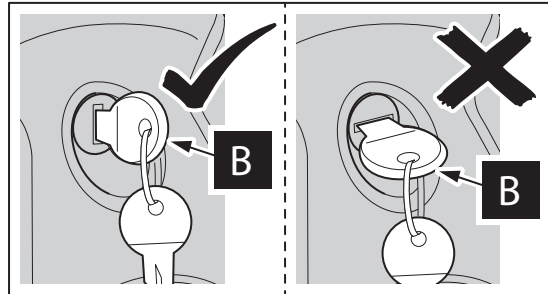
6

4x



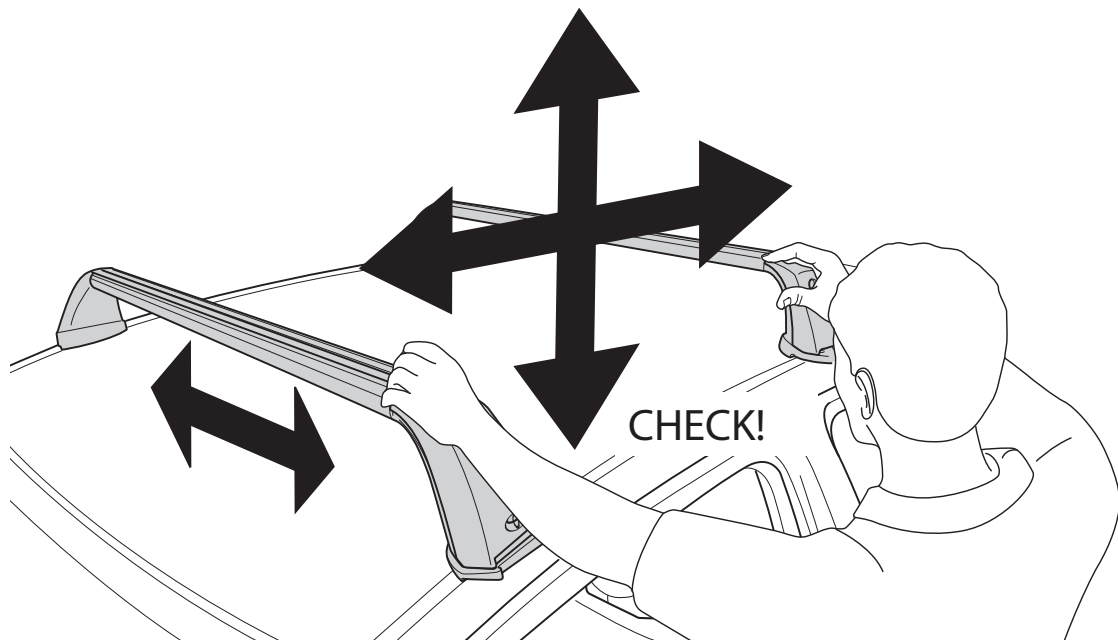
7

4x

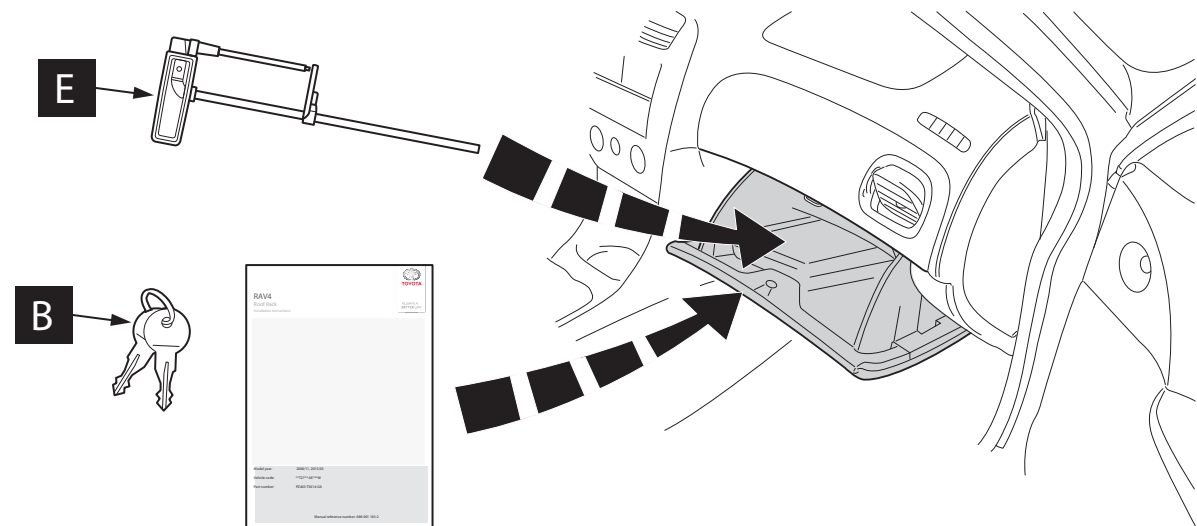


8

4x



9



10

